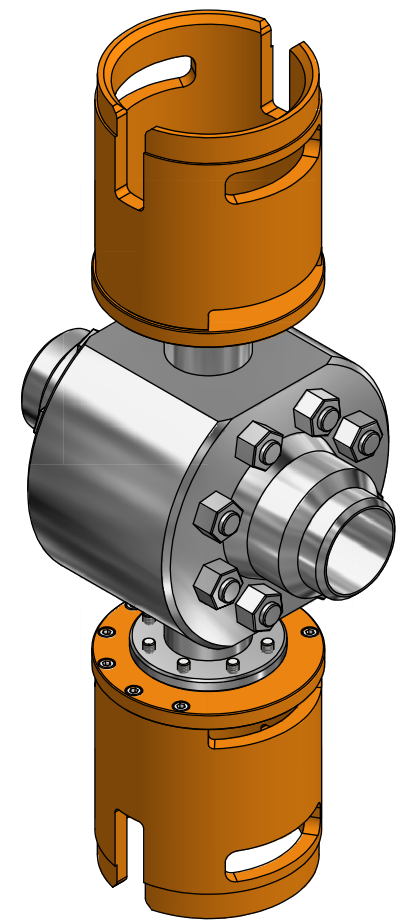


NOTE: 1  
 DESIGN CODE:  
 N/A

NOTE: 2  
 TECHNICAL CLASSIFICATION:  
 Article Type: 007-Valves  
 Main Group: 7.2. Ball-Valve  
 Intermediate Group: 7.1014.09. 3"  
 Sub Group: 7.1014.276.1. Intervention

NOTE: 3  
 INTERFACE INFORMATION:  
 Pressure Rating Bar: 154  
 Material: Intervention  
 Weight: 92,6 kg  
 Volume: 11848,2 cm<sup>3</sup>  
 Surface Area: 10700 cm<sup>2</sup>  
 Hydraulic: N/A  
 Mechanical: N/A  
 Electrical: N/A  
 Com. & Protocol: N/A



Rev.	Date	Reason for issue	Revision change	Made	Chk'd	Appr.
01	24.11.2015	2-IFT (Issued for Tender)				



Dwg Scale:  
 NTS  
 Dwg Proj:  
 Dwg Format:  
 A3

Drawing title:  
 3 inch Ball Valve Double Stem with Class 4 Bucket

Drawing number:  
 BA7636

Rev.  
 01